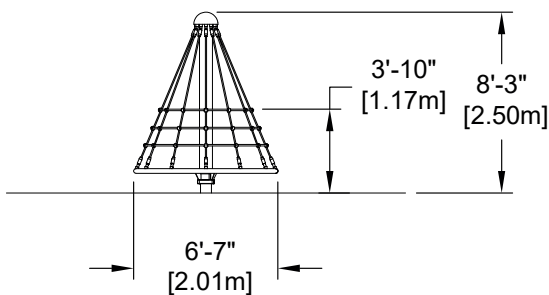
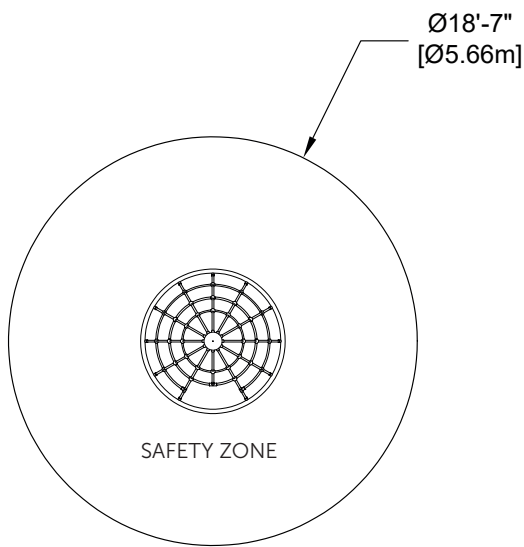


Spinneround Pyramide Mini with deck

EP-SS-ERN820D (ASTM)



CHARACTERISTICS

Age Group : 2-5 years old
Fall Height : 3'-10" (1.17m)
Capacity : 10
Safety zone : Ø18'-7" (Ø5.66m)

MATERIALS

Inner Post : heavy-duty galvanized steel;
Outer Post, Hardware and Fasteners : powder coated steel;
Deck : reinforced perforated aluminum;
Rings : rolled aluminum tubing;
Cap : half-sphere aluminum;
Cables : braided UV-resistant nylon over seven (7) galvanized steel cables; 0,8" (20mm) diameter;
Cable Hardware : cast aluminum;
Rotational Device : maintenance-free, self-lubricated nylon.
*All painted parts are powder coated with UV-resistant polyester.

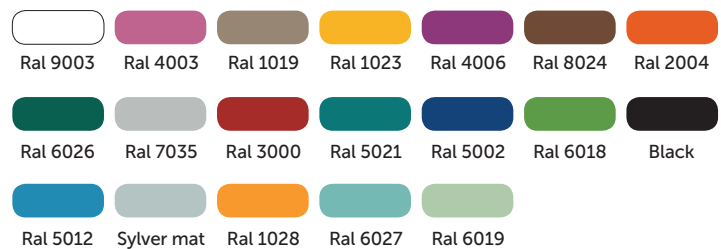
ANCHORS TYPE

In-ground galvanized steel freestanding footing.

PLAY VALUE

The Spinneround Serie enhance general playful freedom of movement, stability, hanging and running. This equipment favorize group interaction and create high sensory stimulation. Moreover, the moving of the center of mass constitute a highly amusing physical training for its users.

AVAILABLE COLORS - STRUCTURE

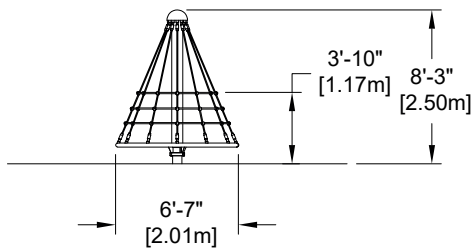
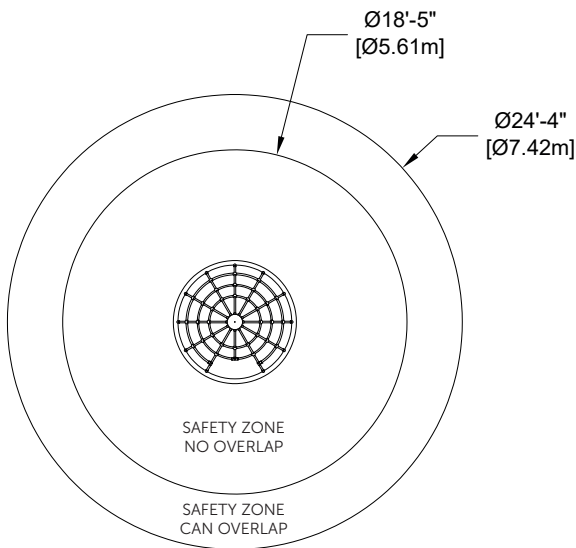


AVAILABLE COLORS - CABLES



Spinneround Pyramide Mini with deck

EP-SS-ERN820D (CSA)



CHARACTERISTICS

Age Group : 2-5 years old
 Fall Height : 3'-10" (1,17m)
 Capacity : 10
 Safety zone : Ø24'-4" (Ø7.42)

MATERIALS

Inner Post : heavy-duty galvanized steel;
 Outer Post, Hardware and Fasteners : powder coated steel;
 Deck : reinforced perforated aluminum;
 Rings : rolled aluminum tubing;
 Cap : half-sphere aluminum;
 Cables : braided UV-resistant nylon over seven (7) galvanized steel cables; 0,8" (20mm) diameter;
 Cable Hardware : cast aluminum;
 Rotational Device : maintenance-free, self-lubricated nylon.
 *All painted parts are powder coated with UV-resistant polyester.

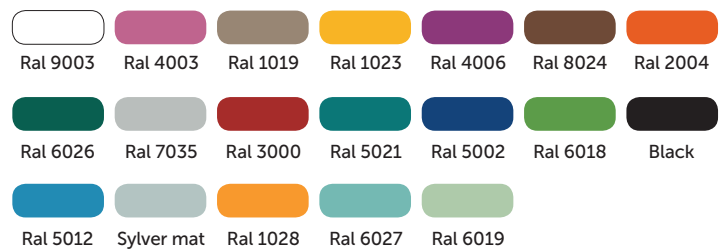
ANCHORS TYPE

In-ground galvanized steel freestanding footing.

PLAY VALUE

The Spinneround Serie enhance general playful freedom of movement, stability, hanging and running. This equipment favorize group interaction and create high sensory stimulation. Moreover, the moving of the center of mass constitute a highly amusing physical training for its users.

AVAILABLE COLORS - STRUCTURE



AVAILABLE COLORS - CABLES

