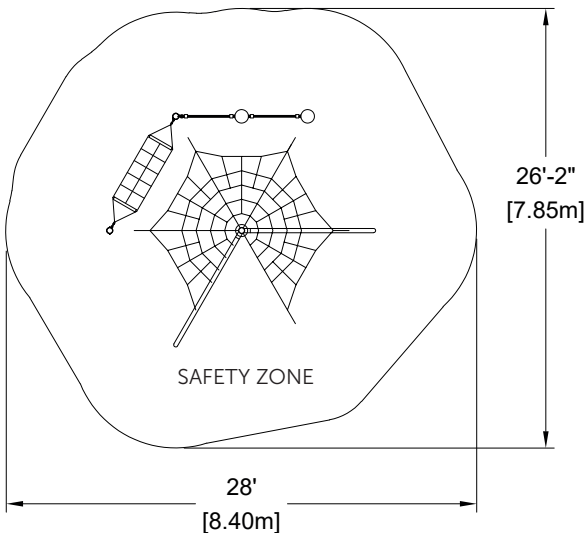
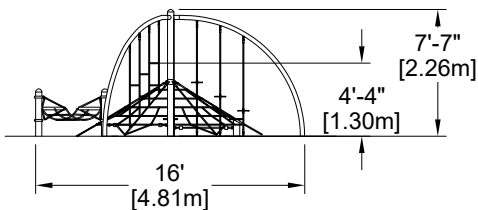


# Agility Net

EP-CN-EPAN1000 (ASTM & CSA)



## CHARACTERISTICS

Age Group : 2-5 years old  
 Height (structure) : 7'-5" (2,26m)  
 Fall Height : 4'-4" (1,32m)  
 Capacity : 13  
 Safety Zone US (ASTM) 26'2" (7.85m) x 28' (8.40m)  
 Safety Zone CAN (CSA) 7.96m x 8.53m

## MATERIALS

Structure : galvanized and powder coated steel;  
 Cables : braided UV-resistant nylon over seven (7) galvanized steel cables; 0,8" (20mm) diameter;  
 Mechanical Assembly : seamless 2" (51mm) diameter aluminum mechanical cross joint castings;  
 Net Accessories : UV-resistant HDPE plastic.

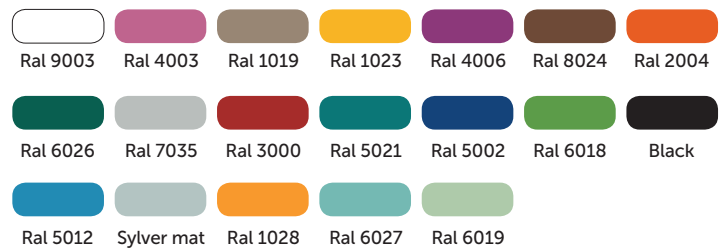
## ANCHORS TYPE

Concrete base footing.

## PLAY VALUE

This Agility Net will challenge toddlers to climb up and join the group. They can also develop their motor skills gathering and bouncing on horizontal cables. Hammock and the low double balance ropes contribute to develop balance skills.

## AVAILABLE COLORS - STRUCTURE



## AVAILABLE COLORS - CABLES

