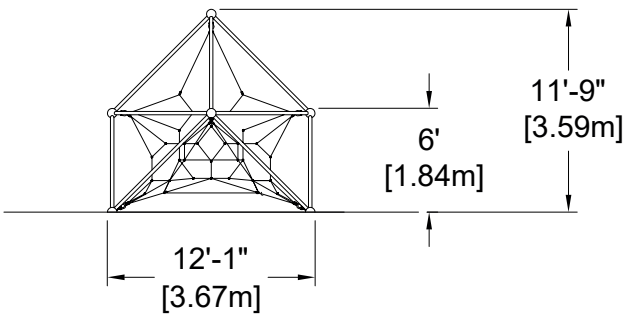
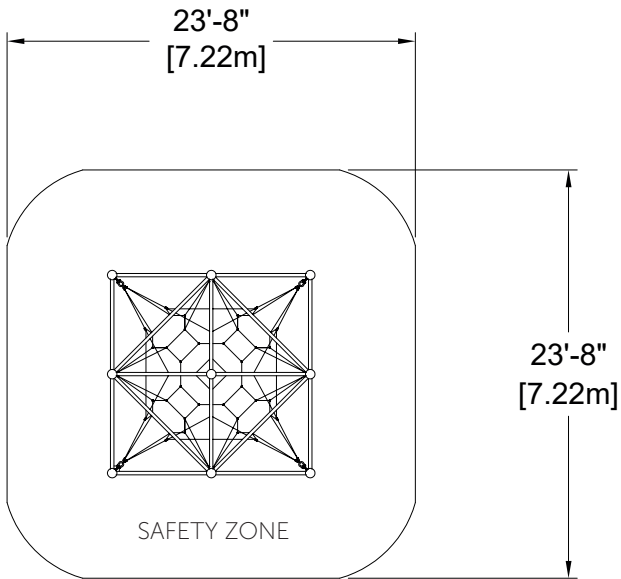


Climbing Net

EP-CN-FN1100 (ASTM & CSA)



CHARACTERISTICS

Age Group : 5-12 years old
 Height (structure) : 11'-9" (3,59m)
 Fall Height : 6-0" (1,84m)
 Capacity : 20
 Safety Zone US (ASTM) and Canada (CSA) : 23'-8" x 23'-8" (7,22 x 7,22m)

MATERIALS

Structure : galvanized and powder coated steel;
 Cables : braided UV-resistant nylon over seven (7) galvanized steel cables; 0,8" (20mm) diameter;
 Mechanical Assembly : seamless 2" (51mm) diameter aluminum crimped cross joint castings.

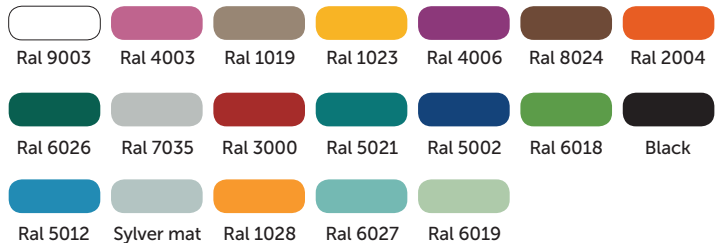
ANCHOR TYPES

Concrete base footing or autostable steel structure.

PLAY VALUE

This equipment provides challenging play either solo or in group. The shape allows for children to climb and to observe while socializing. It is a place where they gather and develop their motor skills by tacking different routes each time.

AVAILABLE COLORS - PAINT



AVAILABLE COLORS - CABLES

