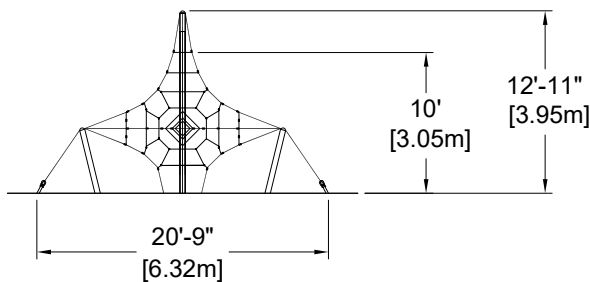
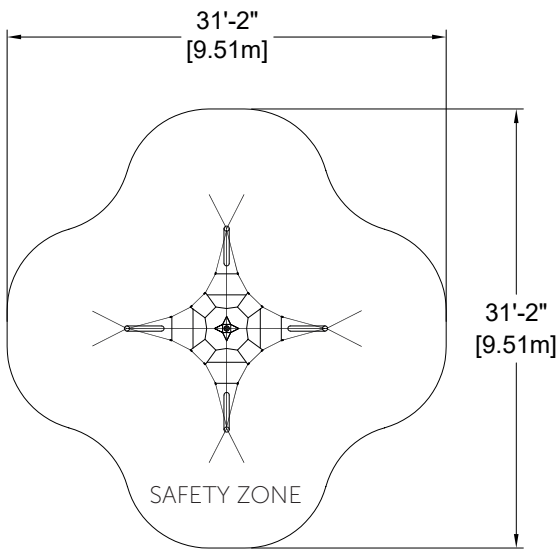


Diamond Mast Mini Net

EP-CN-RN1300 (ASTM & CSA)



CHARACTERISTICS

Age Group : 18 months-5 years old
 Height (structure) : 12'-11" (3,95m)
 Fall Height (CSA) : 10'-0" (3,05m)
 Fall Height (ASTM) : 6'-0" (1,83m)
 Capacity : 18
 Safety Zone : 31'-2" x 31'-2" (9,51m x 9,51m)

MATERIALS

Structure : galvanized and powder coated steel;
 Cables : braided UV-resistant nylon over seven (7) galvanized steel cables; 0,8" (20mm) diameter;
 Mechanical Assembly : seamless 2" (51mm) diameter aluminum crimped cross joint castings.

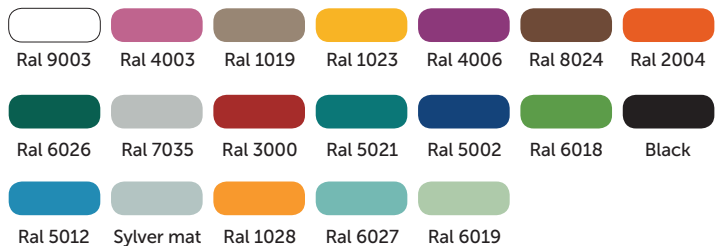
ANCHOR TYPES

Posts : mechanical anchor in concrete bases;
 Net Tips : turnbuckles mounted to plates anchored in concrete bases.

PLAY VALUE

The Diamond Mast Net is equipment provides challenging play either solo or in group. It allows for children to climb and to observe while socializing, as well as developing their strenght and balance. It is a place where they gather and develop their motor skills by taking different routes each time.

AVAILABLE COLORS - PAINT



AVAILABLE COLORS - CABLES

