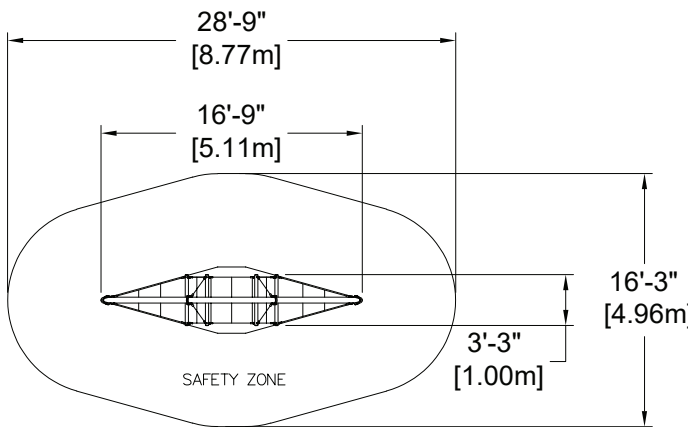
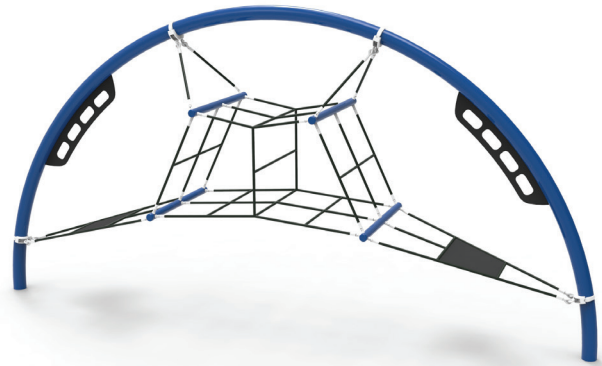


# Mini Dome

EP-CN-AN1200 (ASTM & CSA)



## CHARACTERISTICS

Age Group : 2-12 years old  
 Height (structure) : 8'-5" (2,57m)  
 Fall Height : 5'-10" (1,77m)  
 Capacity : 8  
 Safety Zone US : 28'-9" x 16'-3"  
 (8,76m x 4,95m)

## MATERIALS

Structure : galvanized and powder coated steel;  
 Cables : braided UV-resistant nylon over seven (7) galvanized steel cables; 0,8" (20mm) diameter;  
 Net Accessories : HDPE plastic;  
 Mechanical Assembly : seamless 2" (51mm) diameter aluminum crimped cross joint castings.

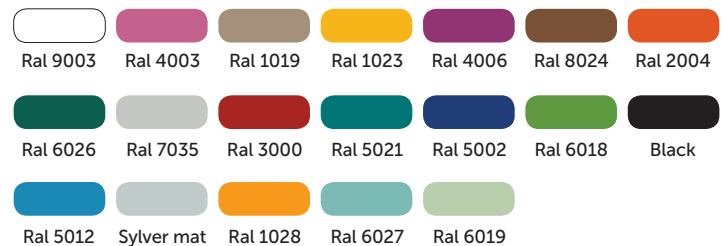
## ANCHOR TYPE

Concrete

## PLAY VALUE

This equipment provides challenging play either solo or in group. The arch shape allows children to climb and to observe while socializing. It is a place where they gather and develop their motor skills by taking different routes each time.

## AVAILABLE COLORS - PAINT



## AVAILABLE COLORS - CABLES

