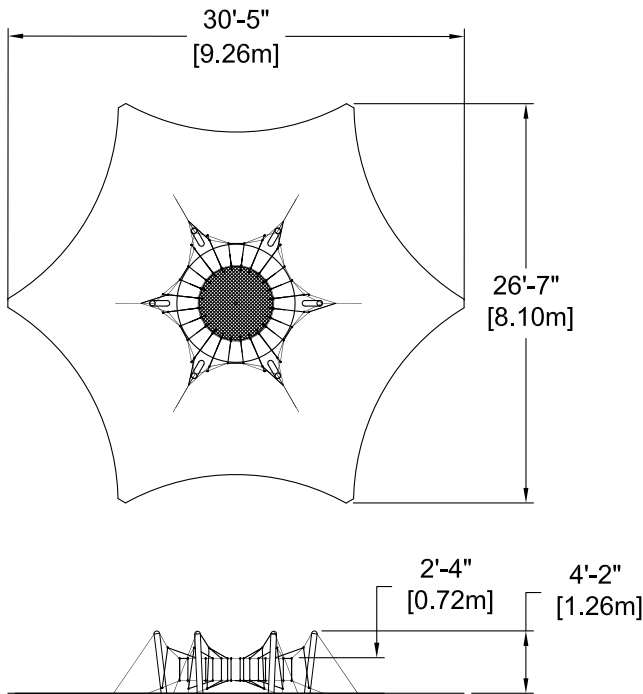
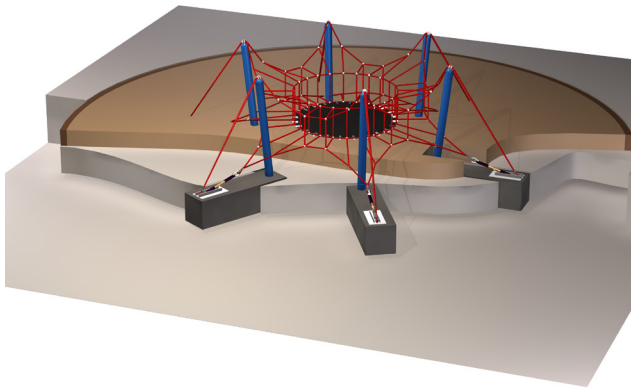


Small Bouncing Net

EP-ES-EAN2000



CHARACTERISTICS

Age Group : 2-5 years old
 Height (structure) : 4'-2" (1,26m)
 Fall Height : 2'-4" (0,72m)
 Capacity : 13
 Safety Zone US (ASTM) and Canada (CSA) : 30'-5" x 26'-7" (9,26m x 8,10m)

MATERIALS

Structure : galvanized and powder coated steel;
 Cables : braided UV-resistant nylon over seven (7) galvanized steel cables; 0,8" (20mm) diameter;
 Mat : 1/2" (12,7mm) thick reinforced rubber mat;
 Mechanical Assembly : seamless 2" (51mm) diameter aluminum crimped cross joint castings.

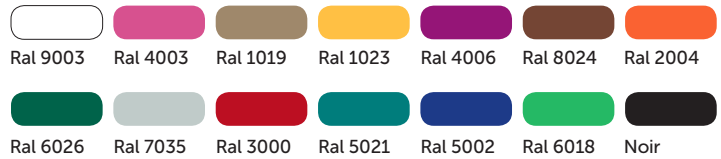
ANCHORS

Posts : mechanical anchor in concrete bases;
 Net tips : turnbuckles mounted to plates anchored in concrete bases.

PLAY VALUE

This Bouncing Net is a stimulating play equipment for single and multiple users. It allows kids to climb, observe and meet others, as well as encouraging them to reach the center to bounce.

AVAILABLE COLORS - STRUCTURE



AVAILABLE COLORS - CABLES

