

Single Pear ball two bays

EP-SKS-P1-2



CHARACTERISTICS

Age group : 5-12 years old
 Distance between posts : 4' (1.22m)
 Horizontal bars : variable, maximum 60" (1.52m) high

MATERIALS

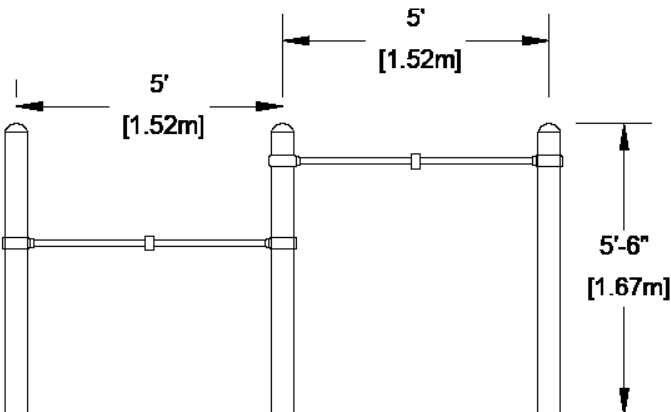
3.5" side posts and 1 1/2" horizontal bar powder coated zingued steel.

ANCHORS TYPE

Concrete base

PLAY VALUE

No absorbing surface needed for this game. Pear ball helps enforcing motricity and upper body strenght as well as developing coordination. Pear ball is played in group on numerous rythms and songs.



AVAILABLE COLORS - STRUCTURE

