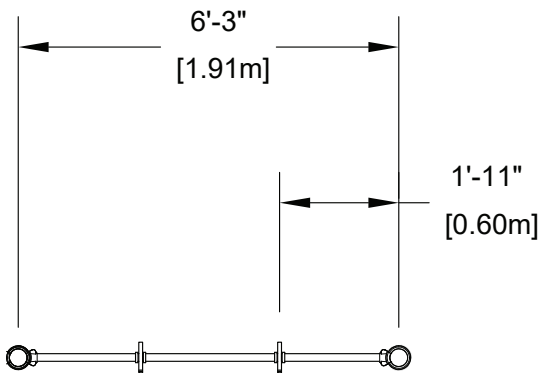


Pearl ball bouble One bay

EP-SKS-PB2-1



CHARACTERISTICS

Age group : 5-12 years old
 Distance between posts : 6'-3 (1.22m)
 Horizontal bars : variable, maximum 60" (1.52m) high

MATERIALS

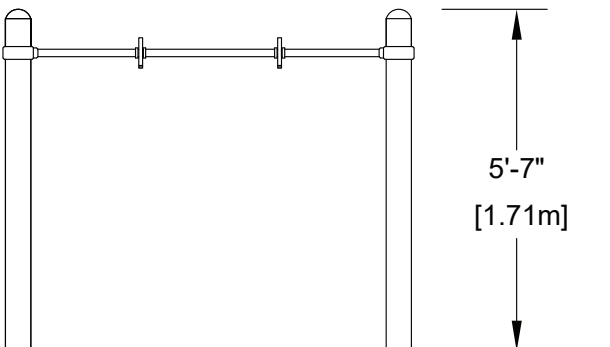
5" side posts and 1 1/2" horizontal bar powder coated zingued steel.
 Nylon bearing fastened in place by painted steel rings.

ANCHORS TYPE

Concrete base

PLAY VALUE

No absorbing surface needed for this game. Pearl ball helps enforcing motricity and upper body strenght as well as developing coordination. Pearl ball is played in group on numerous rythms and songs.



AVAILABLE COLORS - STRUCTURE

