

# Soccer goal and fences

EP-SKS-PCF-A

Configuration A



## CHARACTERISTICS

Soccer cages for school in various configurations to suit schoolyards of any dimensions.

Side fences are offered in two sizes to close the space on both sides of the goal to maintain the ball from leaving the field of play protecting kids playing in the nearby zones.

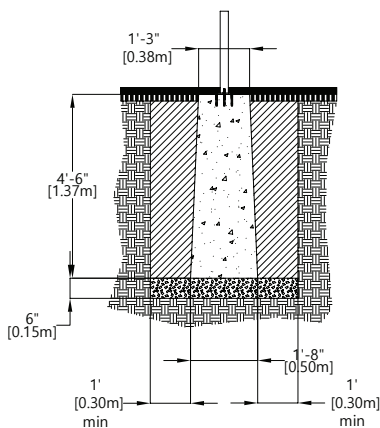
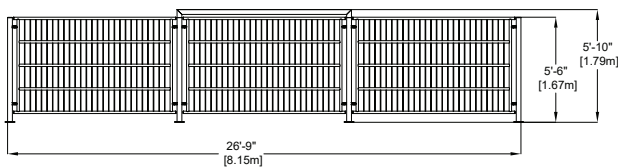
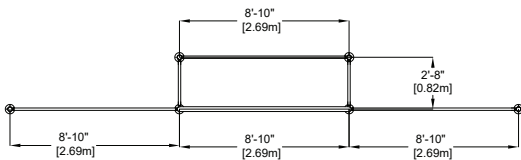
While the wire mesh allows an easy surveillance of playspaces, the bright paint on posts and panels bring color to the environment.

## MATERIALS

The goals and fences are entirely made of powder coated zinged stainless steel

## ANCHORS TYPE

Pre poured concrete pyramid base



## AVAILABLE COLORS - STRUCTURE

