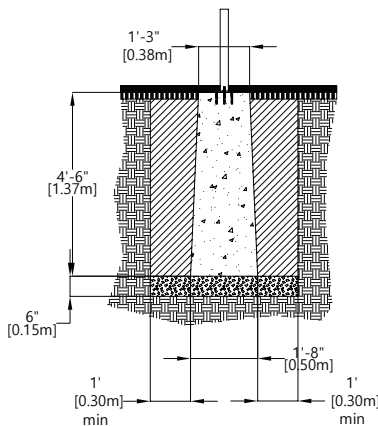
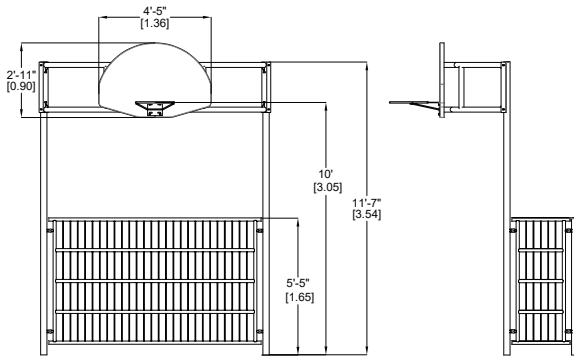
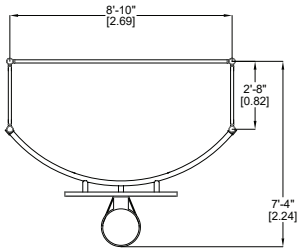


Soccer goal and Basket

EP-SKS-PCFB-A10



CHARACTERISTICS

Soccer goal 8'-10" wide by 5'-6" high (2.69m x 1.66m) with basketball hoop installed at 10' (3 m) up above. This equipment diversifies the game possibilities.

Soccer goal and basket are offered in various configurations to accommodate yards of any size

While the wire mesh allows an easy surveillance of playspaces, the bright paint on posts and panels enliven the environment.

MATERIALS

The goals and fences are entirely made of powder coated zinged stainless steel

ANCHORS TYPE

Pre poured concrete pyramid base

PLAY VALUE

Maximise play space

AVAILABLE COLORS - STRUCTURE

