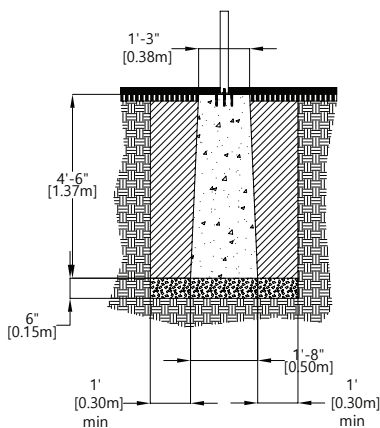
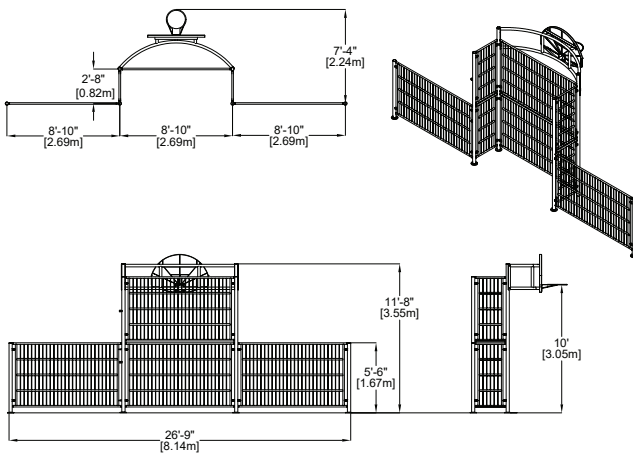


Soccer goal and Basket

EP-SKS-PCFB-H10



CHARACTERISTICS

Soccer goal 8'-10" wide (2.69m) with, on the opposite side, a basketball hoop at 10' (3 m) high. Side fences close the space on both sides of the goal to maintain the ball from leaving the field of play protecting kids playing in the nearby zones. This equipment diversifies the game possibilities.

Soccer goal and basket are offered in various configurations to accommodate yards of any size

While the wire mesh allows an easy surveillance of playspaces, the bright paint on posts and panels enlightens the environment.

MATERIALS

The goals and fences are entirely made of powder coated zinged stainless steel

ANCHORS TYPE

Pre poured concrete pyramid base

PLAY VALUE

Maximise playspace

AVAILABLE COLORS - STRUCTURE

