

# Log See-Saw

EP-NS-002 (ASTM & CSA)



## CHARACTERISTICS

Age group: 5-12 years  
 Fall height: 35" (0,89 m)  
 Capacity: 6  
 Safety zone: 24' x 12'-5" (7.32m x 3.78m)

## MATERIALS

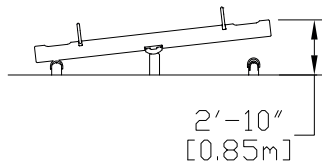
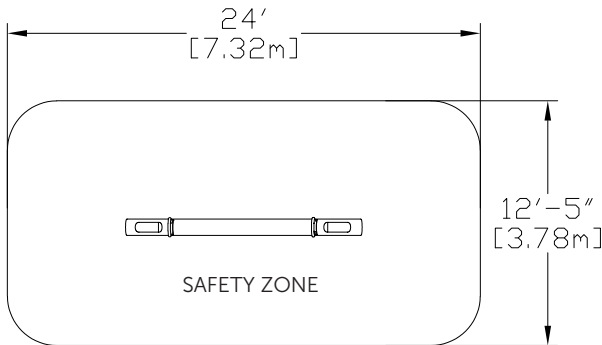
Log : 8 to 12" dia. minimum peeled white cedar - may be shaped as a canoe or other shapes on demand  
 Mounting Brackets : Galvanized Steel  
 Fulcrum : Heavy Duty Steel

## ANCHORS TYPE

In-ground Galvanized Steel freestanding footing or in concrete base 60" (1,50 m) depth.

## PLAY VALUE

This play equipment has an important role in the development of the children's vestibular system. Having a strong vestibular system enhances the sense of the body in space, a better balance and a bigger capacity in sports in general. The Log See-Saw is a group play equipment where kids must communicate to make the log go up and down.



## AVAILABLE COLORS - STRUCTURE

